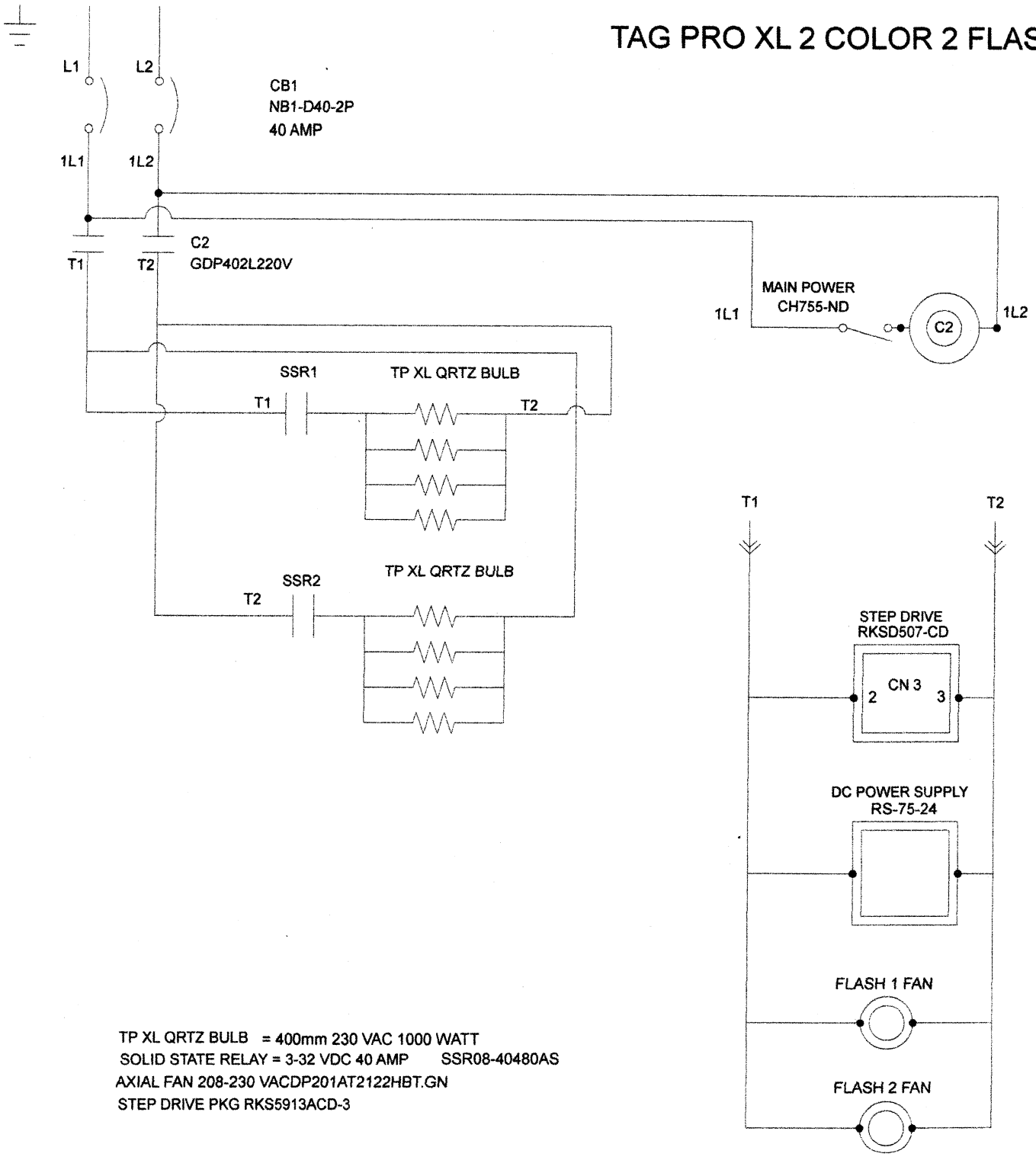


AC ELECTRIC SCHEMATIC

208-230 VAC SINGLE PHASE 40 AMP

TAG PRO XL 2 COLOR 2 FLASH



TP XL QRTZ BULB = 400mm 230 VAC 1000 WATT  
 SOLID STATE RELAY = 3-32 VDC 40 AMP SSR08-40480AS  
 AXIAL FAN 208-230 VACDP201AT2122HBT.GN  
 STEP DRIVE PKG RKS5913ACD-3